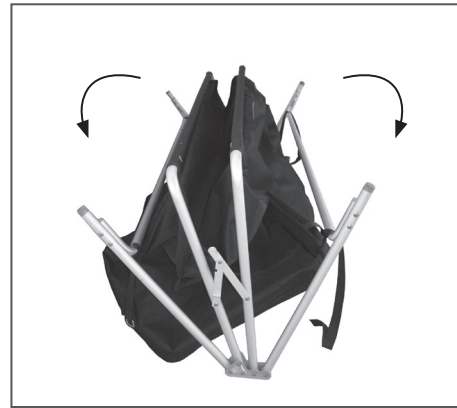


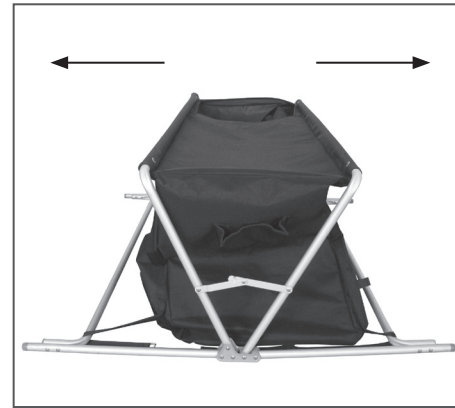
# RICHMOND KITCHEN TABLE w/MAGNETIC DOORS · ASSEMBLING INSTRUCTIONS



- 1 Provided in storage bag. Easy to carry and easy to store



- 2 Take out the kitchen table from the storage bag and fold out the kitchen table



- 3 Turn the kitchen table up-side down and tighten the Velcro straps around the frame for stability



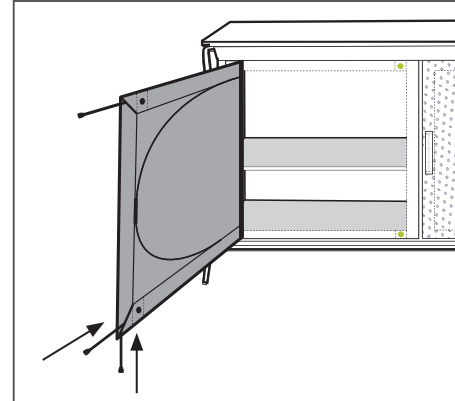
- 4 Check that the Velcro straps are placed correctly and that the safe lock on each side is secured



- 5 Assemble the aluminium panels on top of the table. The holes on each side of the frame corresponds with the panel fasteners



- 6 Slide the shelves into the unit. Metal table top fits down between the aluminium panels. The two-piece table top is secured in each end of the table top



- 7 Insert two poles horizontal and one pole vertical. The thin pole must be curved and attached at top and bottom pocket



- 8 Assemble the wind shield on top of the table in the slots. Open the top table and assemble the wash basin frame. The basin frame can be covered by the table top



outwell.com